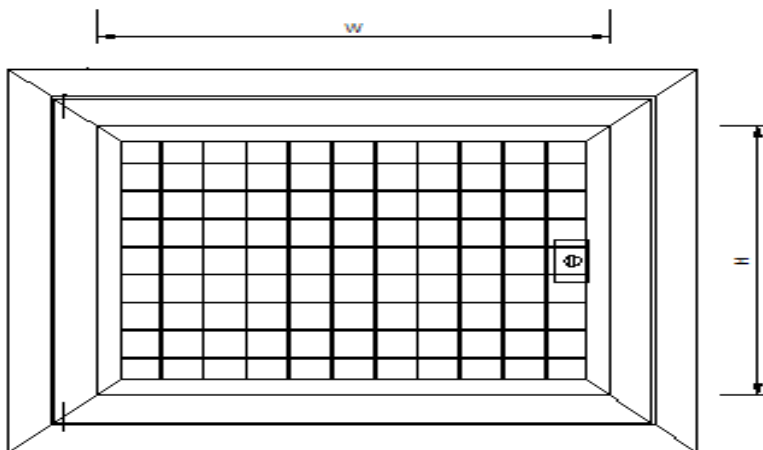
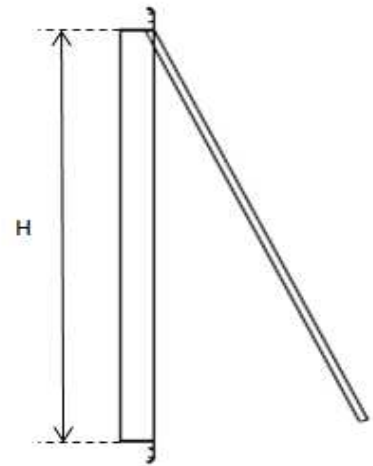
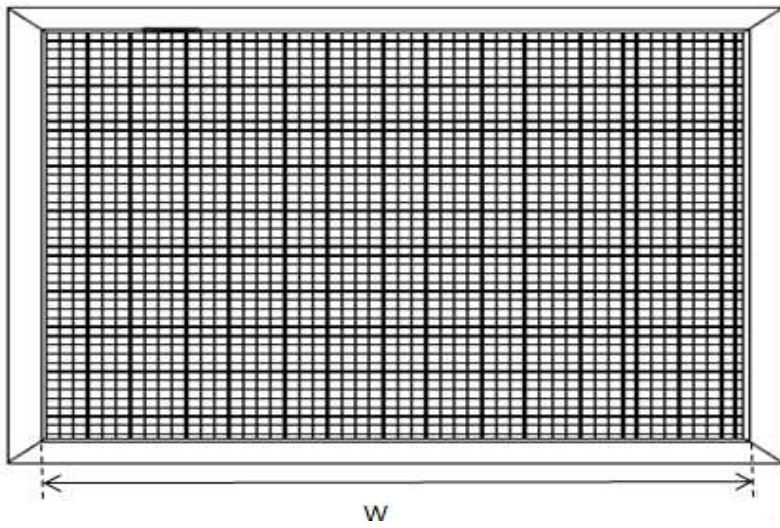
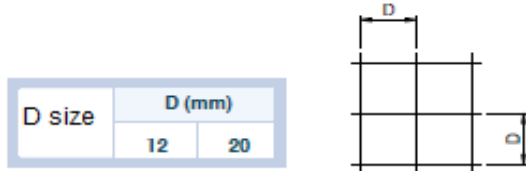




SUBMITAL AND DRAWING
MODEL-KPMK

REGISTER&GRILLES

PROJECT :
ENGINEER :
CONTRACTOR :
SUBMITTED BY :
DATE :





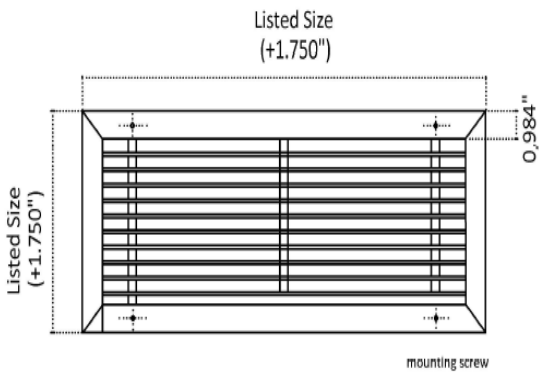
SUBMITAL AND DRAWING
MODEL-LMK

REGISTER&GRILLES

PROJECT :
 ENGINEER :
 CONTRACTOR :
 SUBMITTED BY :
 DATE :

Linear Bar Grilles

Side wall/ Ceiling



BLADE OPTION:

LG-0 (0° Deflection)



LG-15 (15° Deflection)



LG-30 (30° Deflection)



0,512"

MATERIAL : Aluminum

FACE : Fixed Horizontal Bar Type

MODEL SIZE :

MOUNTING TYPE:

M0- NON- MOUNTING

M1- SCREW

M2- CLIPS

M3- SPRING

AVAILABLE FINISHES

STANDART FINISH:

01 WHITE (RAL 9016)

OPTIONAL FINISH (NO EXTRA CHARGE):

06 MILL FINISH 02 WHITE (RAL 9010)

OPTIONAL FINISH (ADDITIONAL CHARGE):

03 SATIN SILVER 07 CUSTOM COLOR/ SETUP CHARGE

04 ANODIZED 08 RAL...../ SETUP CHARGE

05 BLACK

AVAILABLE

LISTED SIZE (WxH)

6 x 6

8 x 4

8 x 6

8 x 8

10 x 4

10 x 6

10 x 8

12 x 4

SPECIAL

SIZE:.....

QUANTITY

.....

.....

.....

.....

.....

.....

.....

.....

.....

.....

.....

.....

AVAILABLE

LISTED SIZE

12 x 6

12 x 8

14 x 4

14 x 6

14 x 8

16 x 6

18 x 6

24 x 6

QUANTITY

.....

.....

.....

.....

.....

.....

.....

.....

.....

.....

.....

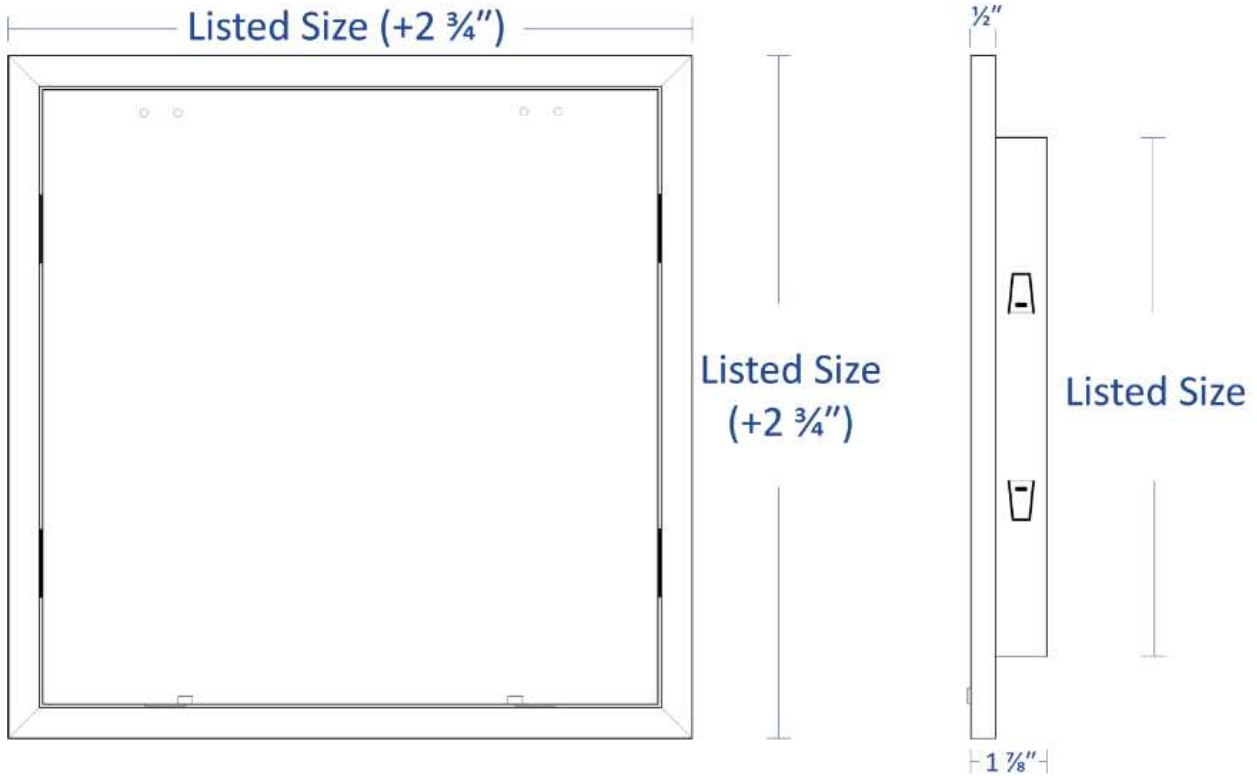
.....



SUBMITAL AND DRAWING
MODEL-SK

REGISTER&GRILLES

PROJECT :
 ENGINEER :
 CONTRACTOR :
 SUBMITTED BY :
 DATE :



AVAILABLE FINISHES

STANDART FINISH:

01 WHITE (RAL 9016)

OPTIONAL FINISH (NO EXTRA CHARGE):

06 MILL FINISH 02 WHITE (RAL 9010)

OPTIONAL FINISH (ADDITIONAL CHARGE):

03 SATIN SILVER 07 CUSTOM COLOR/ SETUP CHARGE
 04 ANODIZED 08 RAL...../ SETUP CHARGE
 05 BLACK

AVAILABLE

LISTED SIZE (WxH)

6 x 6
 8 x 4
 8 x 6
 8 x 8
 10 x 4
 10 x 6
 10 x 8
 12 x 4
 SPECIAL
 SIZE:.....

QUANTITY

.....

AVAILABLE

LISTED SIZE

12 x 6
 12 x 8
 14 x 4
 14 x 6
 14 x 8
 16 x 6
 18 x 6
 24 x 6

QUANTITY

.....



SUBMITAL AND DRAWING
MODEL-TMK

REGISTER&GRILLES

PROJECT :

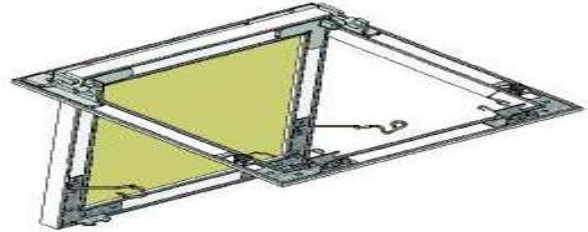
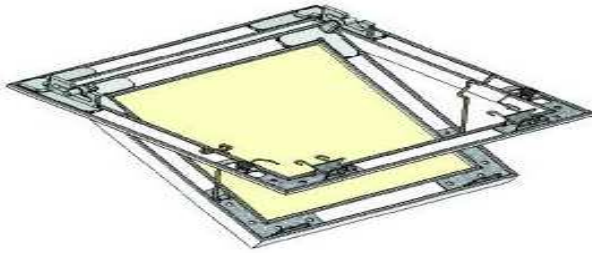
ENGINEER :

CONTRACTOR :

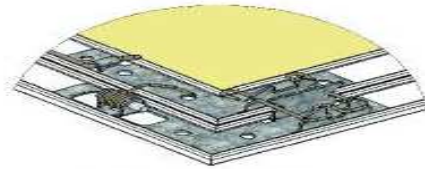
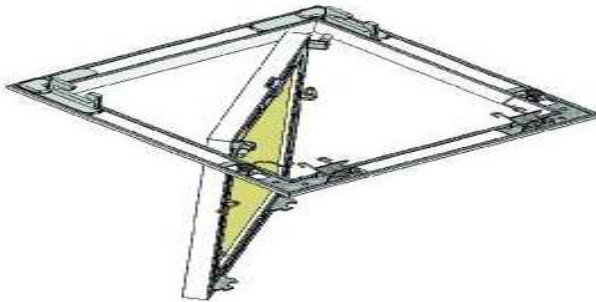
SUBMITTED BY :

DATE :

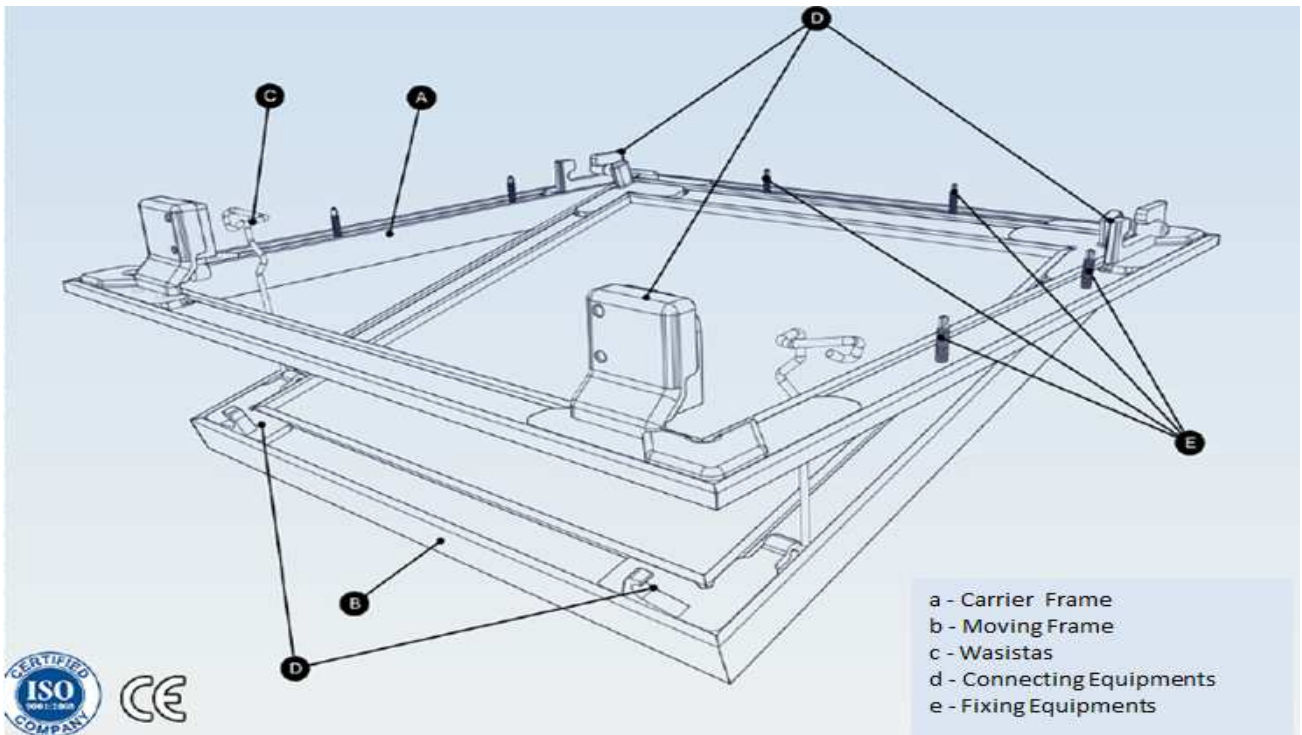
TOUCH-OPERATED DRYWALL ACCESS PANEL



MAXIMUM MEASURING 80X80



SPRING LOCKING SYSTEM





REGISTER&GRILLES

SUBMITAL AND DRAWING
MODEL-YDK

PROJECT :
ENGINEER :
CONTRACTOR :
SUBMITTED BY :
DATE :

FIRE RESISTANT DRYWALL ACCESS PANEL

a – Carrier Frame
d – Connectors

b – Moving Frame
e – Fire Wicks

c – Lock and Key
f – Safety Chain



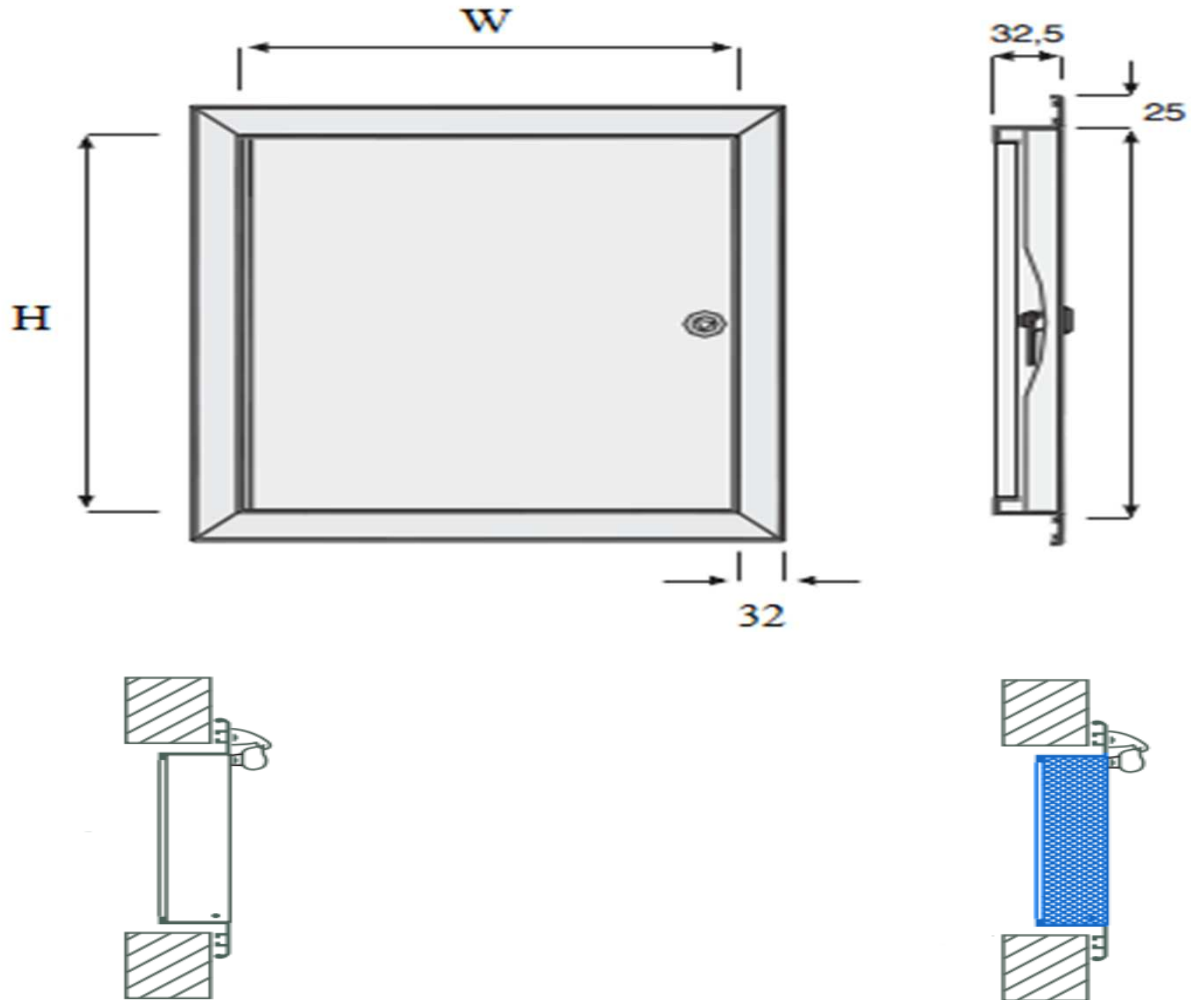
FIRE RESISTANCE CLASSIFICATION
Opening towards the fire (Cover Nr.1):EI₂90
Opening away from the fire (Cover Nr.2):EI₂120,EI₂120



SUBMITAL AND DRAWING
MODEL-CMK

REGISTER&GRILLES

PROJECT :
 ENGINEER :
 CONTRACTOR :
 SUBMITTED BY :
 DATE :



AVAILABLE FINISHES

STANDART FINISH:

01 WHITE (RAL 9016)

OPTIONAL FINISH (NO EXTRA CHARGE):

06 MILL FINISH 02 WHITE (RAL 9010)

OPTIONAL FINISH (ADDITIONAL CHARGE):

03 SATIN SILVER 07 CUSTOM COLOR/ SETUP CHARGE

04 ANODIZED 08 RAL...../ SETUP CHARGE

05 BLACK

AVAILABLE LISTED SIZE (WxH)

6 x 6

8 x 4

8 x 6

8 x 8

10 x 4

10 x 6

10 x 8

12 x 4

SPECIAL

SIZE:.....

QUANTITY

.....

.....

.....

.....

.....

.....

.....

.....

.....

AVAILABLE LISTED SIZE

12 x 6

12 x 8

14 x 4

14 x 6

14 x 8

16 x 6

18 x 6

24 x 6

QUANTITY

.....

.....

.....

.....

.....

.....

.....

.....

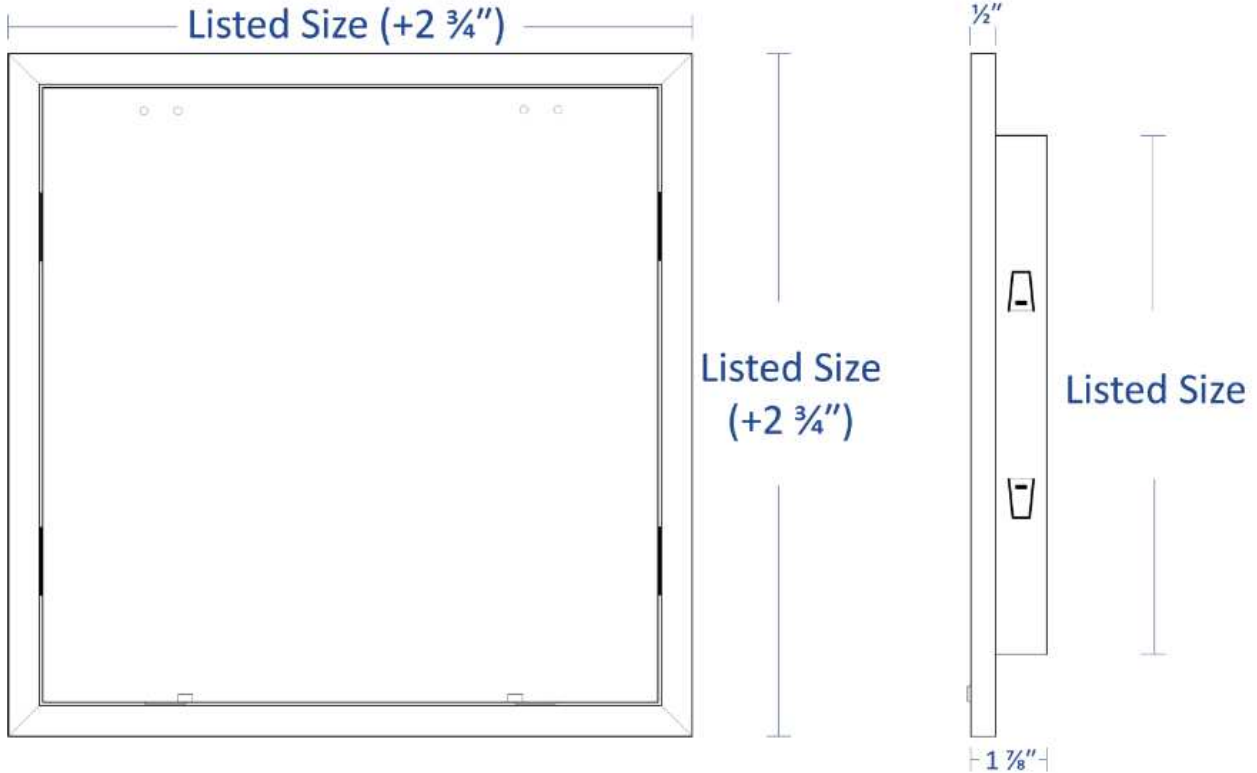
.....



SUBMITAL AND DRAWING
MODEL-DMK

REGISTER&GRILLES

PROJECT :
 ENGINEER :
 CONTRACTOR :
 SUBMITTED BY :
 DATE :



AVAILABLE FINISHES

STANDART FINISH:

01 WHITE (RAL 9016)

OPTIONAL FINISH (NO EXTRA CHARGE):

06 MILL FINISH 02 WHITE (RAL 9010)

OPTIONAL FINISH (ADDITIONAL CHARGE):

03 SATIN SILVER 07 CUSTOM COLOR/ SETUP CHARGE

04 ANODIZED 08 RAL...../ SETUP CHARGE

05 BLACK

AVAILABLE

LISTED SIZE (WxH)

6 x 6

8 x 4

8 x 6

8 x 8

10 x 4

10 x 6

10 x 8

12 x 4

SPECIAL

SIZE:.....

QUANTITY

.....

.....

.....

.....

.....

.....

.....

.....

.....

AVAILABLE

LISTED SIZE

12 x 6

12 x 8

14 x 4

14 x 6

14 x 8

16 x 6

18 x 6

24 x 6

QUANTITY

.....

.....

.....

.....

.....

.....

.....

.....

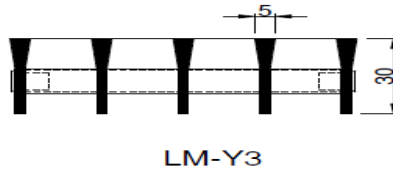
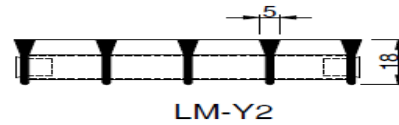
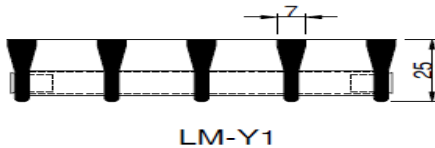
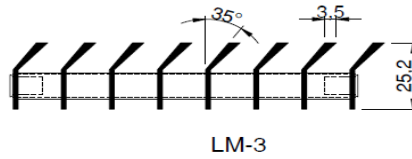
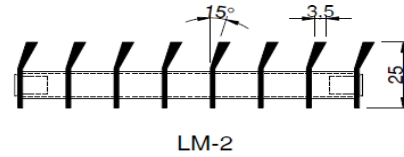
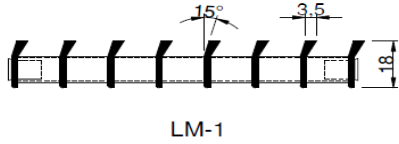
.....



SUBMITAL AND DRAWING
MODEL-FMK

REGISTER&GRILLES

PROJECT :
 ENGINEER :
 CONTRACTOR :
 SUBMITTED BY :
 DATE :



AVAILABLE FINISHES

STANDART FINISH:

01 WHITE (RAL 9016)

OPTIONAL FINISH (NO EXTRA CHARGE):

06 MILL FINISH 02 WHITE (RAL 9010)

OPTIONAL FINISH (ADDITIONAL CHARGE):

03 SATIN SILVER 07 CUSTOM COLOR/ SETUP CHARGE

04 ANODIZED 08 RAL...../ SETUP CHARGE

05 BLACK

AVAILABLE

LISTED SIZE (WxH)

QUANTITY

AVAILABLE
LISTED SIZE

QUANTITY

6 x 6

.....

12 x 6

.....

8 x 4

.....

12 x 8

.....

8 x 6

.....

14 x 4

.....

8 x 8

.....

14 x 6

.....

10 x 4

.....

14 x 8

.....

10 x 6

.....

16 x 6

.....

10 x 8

.....

18 x 6

.....

12 x 4

.....

24 x 6

.....

SPECIAL

SIZE:.....

.....



SUBMITAL AND DRAWING
MODEL-1RAF

REGISTER&GRILLES

PROJECT :
ENGINEER :
CONTRACTOR :
SUBMITTED BY :
DATE :

